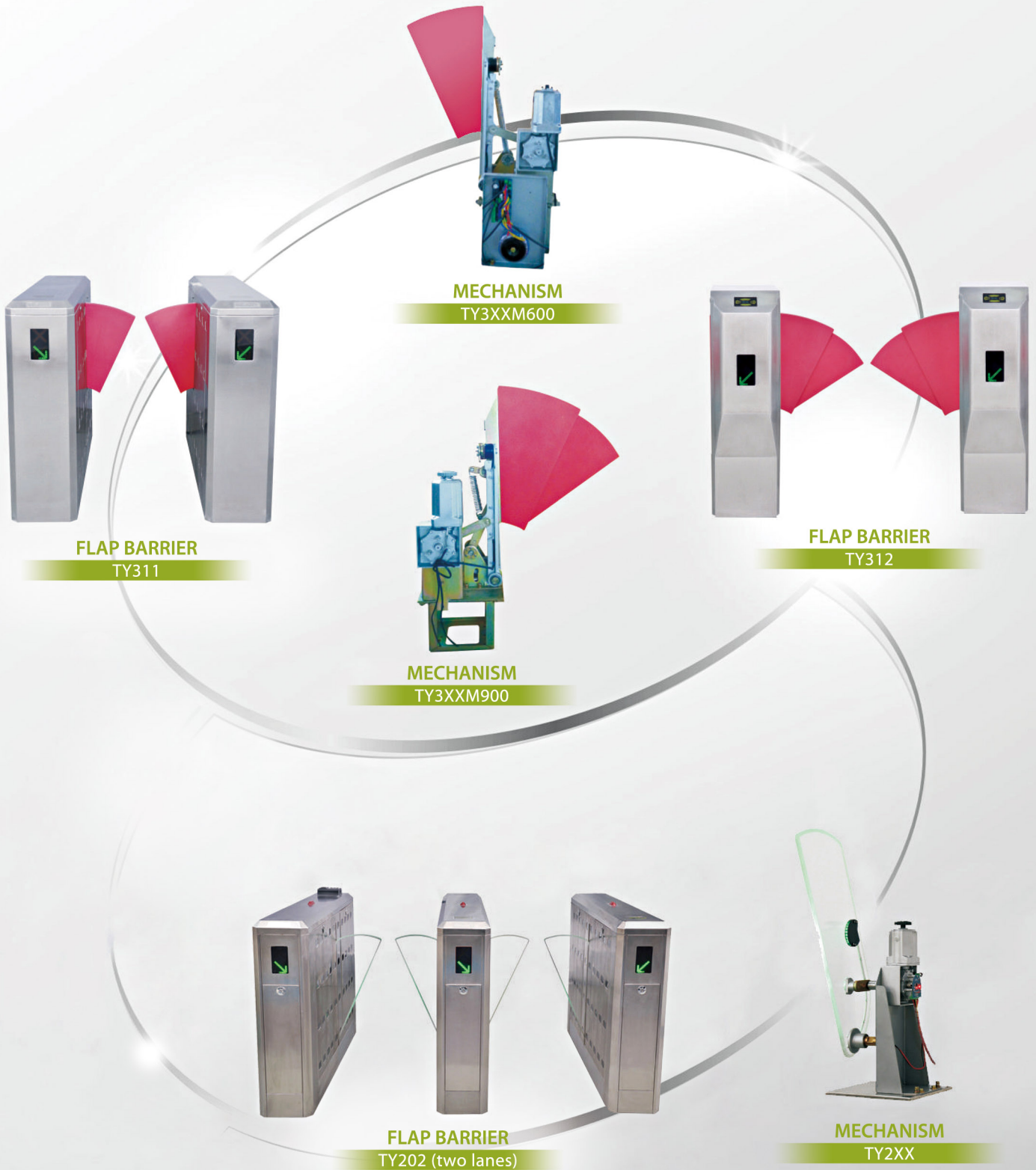
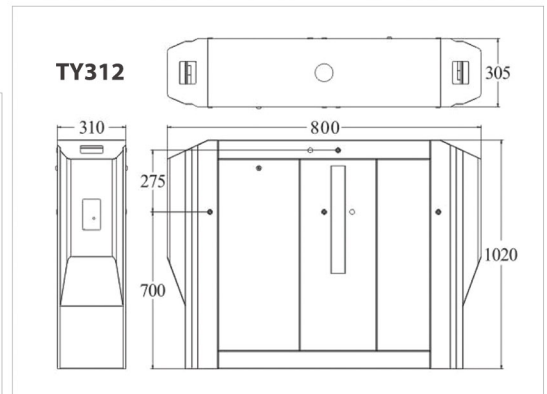
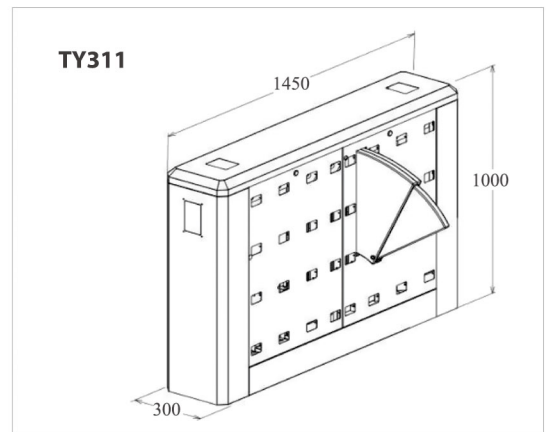
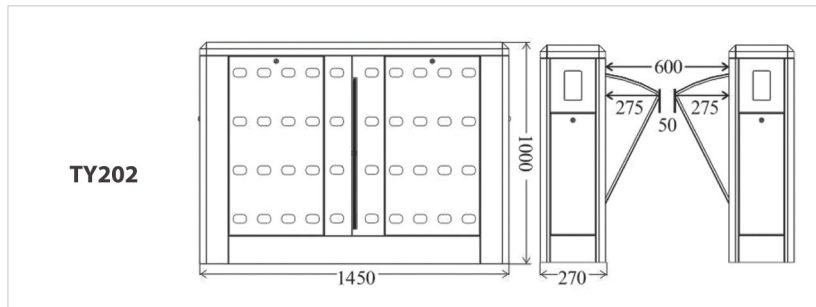


# FLAP BARRIER



## FUNCTION & FEATURES

- ▶ A compact electro-mechanical design with unique drive and a self-lock mechanism
- ▶ Automatic detection for malfunctions
- ▶ Input interface available for dry contact and switch signal connection
- ▶ Adjustable auto-delay closing
- ▶ Infrared photocells for safety access
- ▶ Alarm for unauthorized access and no access against passenger flow
- ▶ Anti-reverse passing
- ▶ Auto-closing when power on
- ▶ Auto-open and free access when power off
- ▶ Adjustable access directions
- ▶ Emergency interface available
- ▶ Traffic light indicating passenger access



## TECHNICAL DATA

Model	TY202	TY311	TY312
Material of Housing	304 Stainless Steel		
Material of Flap Door	Organic Glass	PVC	PVC
Thickness of Housing	1.50mm		
Dimension of Housing (LxWxH mm)	1450 x 270 x 1000	1450 x 300 x 1000	800 x 310 x 1020
Net Weight	90kg	100kg	70kg
Max Width of Passage	600mm	900mm	900mm
Power Supply	220V±10%, 110V±10%		
Frequency	50/60HZ		
Working Voltage of Motor	DC12V	DC24V	DC24V
Input Interface	Dry contact signal or +12V level signal with width more than 100ms DC12V		
Normal Life-span	3 million times		
Communication Interface	Standard RS485 (distance less than 1200 meters)		
Time for opening or closing	1 second		
Starting time after power on	3 seconds		
Automatic reset time after fault	10 seconds		
Transit Speed	30~40 persons/min		
Working Environment	Indoor / Outdoor (Shelter)		
Working Temperature	-10°C~50°C		
Relative Humidity	≤90%, no condensation		

\* All Specifications / colors are subject to change without notice. (V.01)